



GENERAL SPECIFICATIONS

Features:

- Floor or Wall Mount Faucet Required
- 59" (1500mm) x 29.5"(750mm) x 23.6"(600mm)

Material:

- High grade acrylic with fiberglass re-inforcement.

Code Standards:

- CSA B45.5-11/IAPMO Z124

TECHNICAL INFORMATION

- INSTALLED SIZE:	59" X 29.5 X 23.6 in. (1500 x 750 x 600mm)
- FLOOR FOOT PRINT	59 x 29.5 in. (1500 x 750mm)
- DRAIN LOCATION	Centered
- WEIGHT:	124.96 lbs (56.8 KGS)
- WEIGHT W/WATER	596.2 lbs (271 KGS)
- GALLONS TO OVERFLOW:	58.1 Gallons (215L)
- BATHING WELL AT SUMP:	40.9 x 18.5in. (1040 x 470mm)
- BATHING WELL AT RIM:	53.1 x 23.6in.(1350 x 600mm)
- WATER DEPTH TO OVERFLOW:	14.9in. (380mm)
- FLOOR LOADING (Project Area)	49.5 lbs per sq/ft (242.1 kg per sq/m)

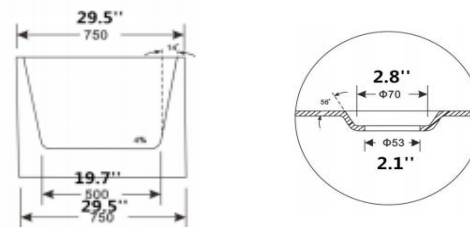
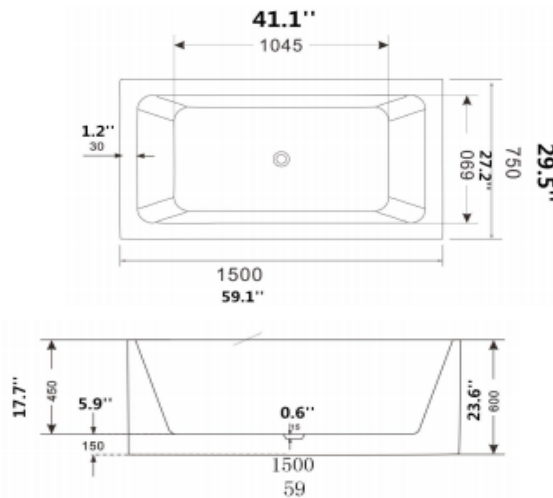
DIMENSIONS OF FIXTURES ARE NOMINAL AND MAY VARY WITHIN THE RANGE OF TOLERANCES ESTABLISHED BY ANSI STANDARDS Z124.1.2-2005

NOTES:

- Refer to the installation instructions supplied with this product for additional information.
- Provide suitable reinforcement for all supports.

IMPORTANT:

- These measurements are subject to change. No responsibility is assumed for use of superseded or voided leaflet.



ELEVATION SOURCING, LLC
 15565 Wright Brothers Drive
 Addison, Texas 75001
 OFF: 214/572-2000